

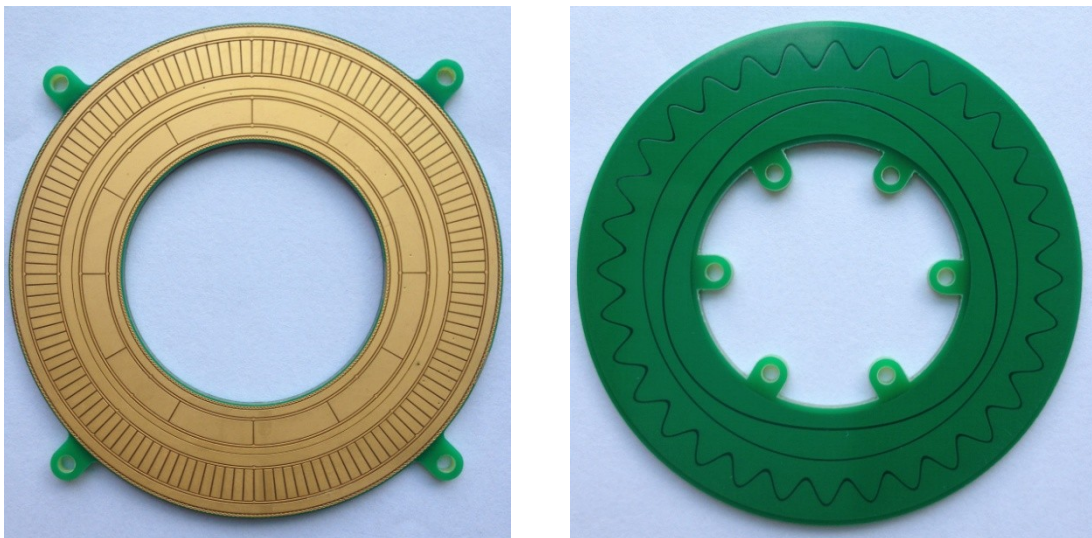
CAPRO Absolute Encoder Kits

CAPRO-6434-BL is an encoder kit solution demonstrating superior features that are demanding but hardly achieved with the conventional optical or magnetic technology. For instance, emerging applications, like robotics and gearbox-free direct drive & direct measurement, requires encoders with compact mechanical dimension and large hollow shaft. Based on capacitive sensing and differential pattern design, a proven technology, the CAPRO series are innovative products offering cost-effective and easy to implement solutions for those demands.

The 360° holistic scanning is an effective approach compensating any eccentricity error and offering better noise cancellation comparing to optical sensing. As a result, the engineering requirement of installation is reduced and in many cases bearings are eliminated. Furthermore, sophisticated fixtures and calibration processes, popularly applied in optical encoder kit solutions become unnecessary.

Basically, the CAPRO-6434-BL offers single turn absolute encoding functions with flexible output interfaces including BISS, SSI, RS485, etc. However, it can be modified to provide incremental TTL output easily.

Besides the output interfaces, the mechanical dimension and mounting features can be customized accordingly.

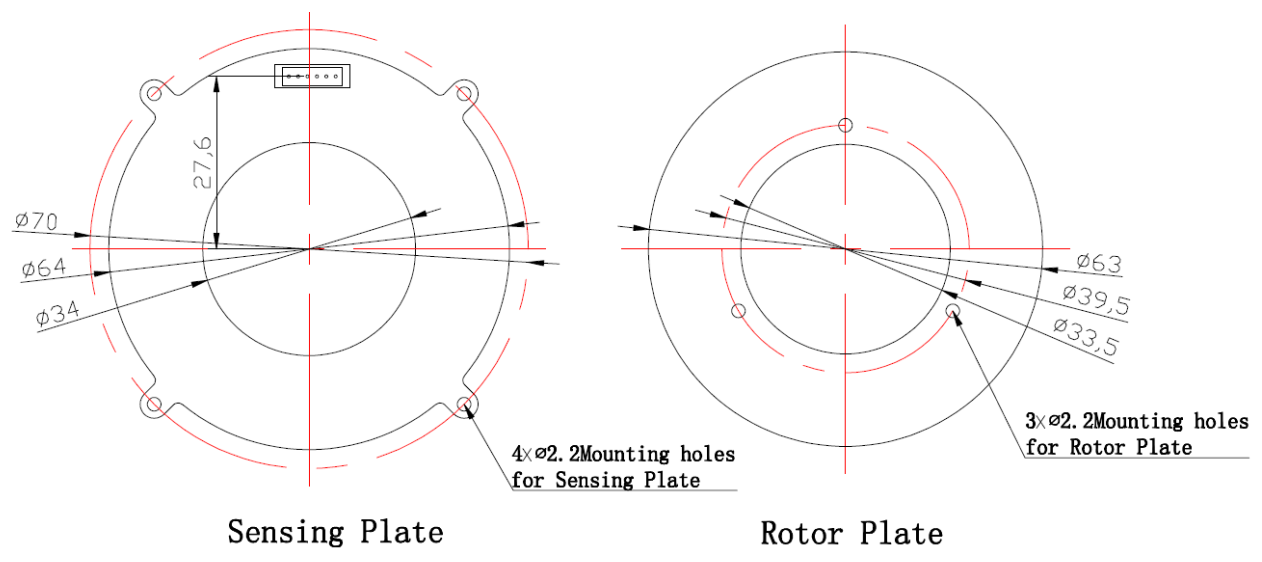


Major specifications:

- Resolution: 16 bits
- Accuracy: $\pm 0.03^\circ$
- Max operation speed: 6000RPM

- Permissible radial movement tolerance: ± 0.2 mm
- Permissible axial movement tolerance: ± 0.2 mm
- Temp range: -40 to 85 °C
- Permissible relative humidity: <90%(condensation is not permitted)
- Outputs: BISS, SSI, RS485, TTL (A+/A-;B+/B-)
- Supply Voltage: 5VDC
- Power Consumption: <1.5 W

Mechanical Configuration:



General guide for mounting:

