



**PENTAIR**

**HYPRO®**

**Hypro Series 1502, 1700, 4001, 4101,  
6500, 7560 and 7700 Roller Pumps**

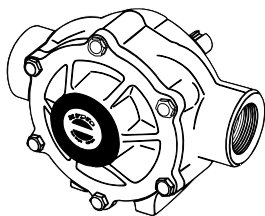
L-0100R  
Rev. C

---

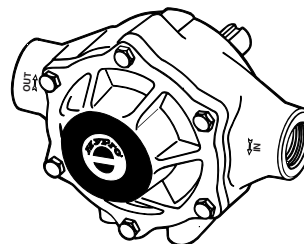
## **Original Instruction Manual**

**Keep for Future Reference**

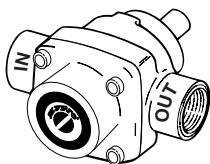
---



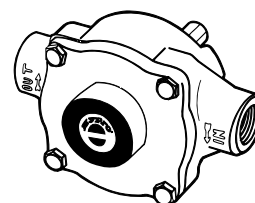
**Series 1502  
6-Roller Pump**



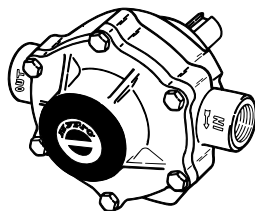
**Series 1700  
5-Roller Pump**



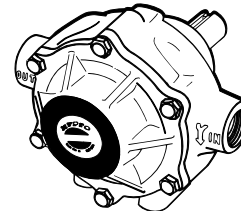
**Series 4001 & 4101  
4-Roller Pump**



**Series 6500  
6-Roller Pump**



**Series 7560  
8-Roller Pump**



**Series 7700  
7-Roller Pump**

# Contents

EU Language Manuals .....	.3
Introduction .....	.4
Description .....	.4
Intended Use(s) .....	.4
Purpose of Manual .....	.4
Misuses .....	.5
Pump Identification .....	.5
Pump Technical Data .....	.6
1502 Series .....	.6
1700 Series .....	.7
4001 Series .....	.8-9
4101 Series .....	.10-12
6500 Series .....	.13
7560 Series .....	.14-16
7700 Series .....	.17

## EU Language Manuals

DO NOT attempt to install or operate your pump before reading the manual. Original copies of the manual for Hypro pumps are provided in English. To find a copy in your native language, go to [www.hypropumps.com](http://www.hypropumps.com).

Vor dem Ablesen des Handbuches versuchen Sie NICHT, Ihre Pumpe zu installieren. Originale des Handbuches für Hypro-Pumpen werden auf englisch zur Verfügung gestellt. Zu eine Kopie in Ihrer Muttersprache finden, zu [www.hypropumps.com](http://www.hypropumps.com) zu gehen (German)

N'essayez pas d'installer votre pompe avant de lire le manuel. Des exemplaires originaux du manuel pour des pompes de Hypro sont fournis en anglais. Pour trouver une copie dans votre langue maternelle pour aller à [www.hypropumps.com](http://www.hypropumps.com) (French)

NON tentare di installare la vostra pompa prima di leggere il manuale. Esemplare originale del manuale per Hypro pompe sono in inglese. Per trovare una copia nella vostra lingua andare a [www.hypropumps.com](http://www.hypropumps.com) (Italian)

Не пытайтесь установить ваш насос до чтения руководства. Оригинальные копии этого руководства для насосы Hypro на английском языке. Найти копию на ваш родной язык перейти к [www.hypropumps.com](http://www.hypropumps.com) (Russian)

NO intente instalar su bomba antes de leer el manual. Copias originales del manual para Hypro se provee de bombas en inglés. Para encontrar una copia en tu idioma nativo ir a [www.hypropumps.com](http://www.hypropumps.com) (Spanish)

NIE próbować instalować pompy przed jej odczytaniem instrukcji. Oryginalne kopie instrukcji obsługi pomp Hypro są dostarczane w języku angielskim. Aby uzyskać kopię w twoim ojczystym języku przejdź do [www.hypropumps.com](http://www.hypropumps.com) (Polish)

Takmaya çalışmayın okumadan önce pompanın manuel. Orijinal kopyalarını Hypro pompaları için İngilizce olarak sunulmuştur. Bir kopyasını bulmak için yerel dil git [www.hypropumps.com](http://www.hypropumps.com) (Turkish)

Não tente instalar a bomba antes de ler o manual. As cópias originais dos manuais para Hypro bombas são fornecidos em Inglês. Para encontrar uma cópia em sua língua nativa ir para [www.hypropumps.com](http://www.hypropumps.com) (Portuguese)

VERGEET NIET uw pomp vóór het lezen van het handboek. Exemplaren van de handleiding voor Hypro pompen zijn beschikbaar in het Engels. Op zoek naar een exemplaar in uw eigen taal ga naar [www.hypropumps.com](http://www.hypropumps.com) (Dutch)

# Introduction

## Description

Hypro roller pumps are designed for creating and boosting pressure in fluid circuits. The economical rotary-action roller principle requires no check valves, while providing positive displacement characteristics with less friction and lower starting torque than other pumps. The pump operates by receiving a fluid through the inlet port where it is captured and transported by the rollers, and then expelled through the outlet port. Construction features include housings and rollers, which are made in a variety of materials in order to be resistant to a wide range of chemicals. Standard models of roller pumps rotate counterclockwise, when looking at the shaft end of the pump. Reverse rotation pumps are available.

## Intended Use(s)

Hypro roller pumps are intended for creating or boosting dynamic pressure and, depending on the type of body, rotor and rollers used, will work with a variety of fluids. Hypro roller pumps will work in a variety of environments but they should never be used to pump liquids above 140°F (60°C) or below 34°F (1°C), or when the ambient air temperature is above 140°F (60°C). Any uses outside of those specified in this manual are considered misuses and are prohibited. Contact Hypro technical service about any questions regarding specific acceptable uses.

## Purpose of Manual

Hypro has provided this manual to provide instructions and requirements that must be met when installing, using and maintaining the product(s) identified on the cover.

If the product is sold, the seller must pass this manual on to the new owner.

The following special attention notices are used to notify and advise the user of this product of procedures that may be dangerous to the user or result in damage to the product.

### **ATTENTION**


Attention is used to notify of installation, operation, or maintenance information that is important but not safety related.



This symbol is used to denote the presence of an electrical hazard that may result in personal injury, death, or property damage.



This symbol is used to denote the presence of a hazard that may result in personal injury, death, or property damage.

 **California Proposition 65 Warning** -- This product and related accessories contain chemicals known to the State of California to cause cancer, birth defects or other reproductive harm.

## Introduction - cont'd.

### Misuses

Hypro roller pumps are designed to operate effectively within the specified speed, pressure and environmental ranges. Going outside of these ranges will void the warranty and could cause damage to property, serious injury or death.

- DO NOT run the pump faster than the maximum recommended speed.
- DO NOT run the pump higher than the maximum recommended pressure.
- DO NOT run pumps when the liquid, or ambient air, has exceeded the maximum or minimum temperature limit. (See Intended Uses)
- DO NOT pump non-approved liquids.
- DO NOT pump water or other liquids for human consumption.
- DO NOT operate any Hypro pump under the influence of drugs or alcohol.
- DO NOT run the pump dry.
- DO NOT pump abrasive fluids.
- DO NOT exceed the duty cycle for pumps with electric motors.
- DO NOT run the pump with a higher than recommended voltage.

### Pump Identification

Hypro uses serialized labeling to enable users to precisely identify the pump's manufacturing date.

**Serial Number:**

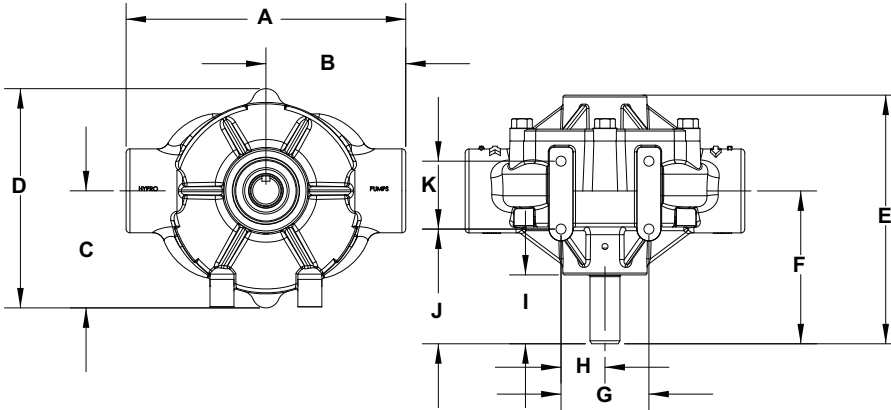
**First and second digits:** year (12 = 2012)

**Third through fifth digits:** consecutive day of the year the pump was manufactured.

# Pump Technical Data

(All specifications and performance data are based on water as a carrier fluid.)

## 1502 Series Pump Only



Pump Dimensions		
Dim.	Inch	mm
A	8.75	222
B	4.38	111
C	3.66	93
D	6.86	174
E	7.78	198
F	4.78	121
G	2.75	70
H	1.38	35
I	2.16	55
J	3.59	91
K	2.13	54

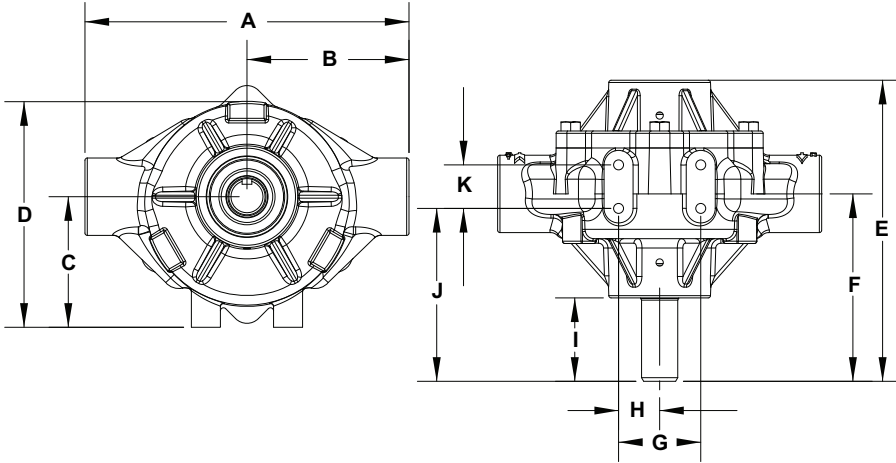
1502C, 1502N, 1502XL Pump Specifications										
Rollers:	Max. Flow Rate (GPM [LPM]):	Max. Pressure (PSI [BAR]):	Max RPM	Ports:	Shaft:	Continuous Operation (PSI [BAR]):	Intermittent Operation (PSI [BAR]):	Dry Weight (LBS [KG]):	Horsepower Requirement	Mounting Bolts
6	62.1 [235.1]	150 [10.3]	1000	1-1/2" NPT Outlet & Inlet	15/16" Dia. (Solid)	100 [6.9]	150 [10.3]	30 [13.6]	See Chart	4 X 3/8-16 UNC

Performance Data 1502C, 1502N, 1502XL (Imperial)						
Pressure	@540 RPM		@600RPM		@1000RPM	
	GPM	HP	GPM	HP	GPM	HP
0 PSI	33.1	0.5	36.8	0.7	62.1	2.0
25 PSI	29.7	1.0	33.6	1.2	58.5	3.0
50 PSI	27.8	1.5	31.7	1.7	56.9	3.7
100 PSI	24.3	2.5	28.3	2.8	53.9	5.3
150 PSI	21.0	3.5	25.0	4.0	50.9	7.1

Performance Data 1502C, 1502N, 1502XL (Metric)						
Pressure	@540 RPM		@600RPM		@1000RPM	
	LPM	HP	LPM	HP	LPM	HP
0 BAR	125.3	0.5	139.3	0.7	235.1	2.0
1.7 BAR	112.4	1.0	127.2	1.2	221.4	3.0
3.4 BAR	105.2	1.5	120.0	1.7	215.4	3.7
6.9 BAR	92.0	2.5	107.1	2.8	204.0	5.3
10.3 BAR	79.5	3.5	94.6	4.0	192.7	7.1

# Pump Technical Data

## 1700 Series Pump Only



Pump Dimensions		
Dim.	Inch	mm
A	8.38	213
B	4.19	106
C	3.38	86
D	5.83	148
E	7.78	198
F	4.84	123
G	2.12	54
H	1.06	27
I	2.16	55
J	4.47	114

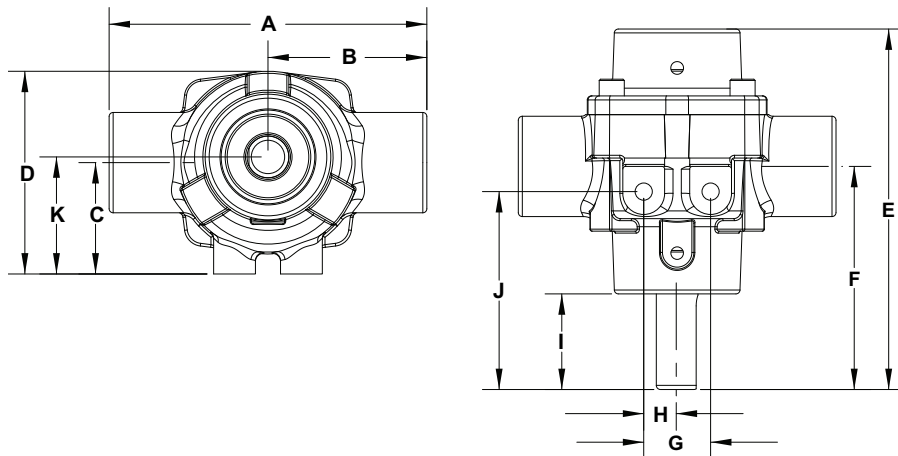
1700C, 1700N, 1700XL Pump Specifications										
Rollers:	Max. Flow Rate (GPM [LPM]):	Max. Pressure (PSI [BAR]):	Max RPM	Ports:	Shaft:	Continuous Operation (PSI [BAR]):	Intermittent Operation (PSI [BAR]):	Dry Weight (LBS [KG])	Horsepower Requirement	Mounting Bolts
5	45.0 [170.3]	200 [13.8]	1000	1" NPT Inlet & Outlet 1-1/4" Hose Barb included	15/16" Dia. (Solid)	100 [6.9]	200 [13.8]	19 [8.6]	See Chart	4 X 5/16-18 UNC

Performance Data 1700C, 1700N, 1700XL (Imperial)						
Pressure	@540 RPM		@600RPM		@1000RPM	
	GPM	HP	GPM	HP	GPM	HP
0 PSI	25.0	0.3	28.0	0.3	45.0	1.4
50 PSI	21.0	1.2	24.5	1.4	43.0	3.0
100 PSI	19.0	2.1	22.0	2.4	41.0	4.7
150 PSI	17.0	2.9	20.0	3.3	39.0	6.1
200 PSI	15.0	3.9	18.0	4.4	---	---

Performance Data 1700C, 1700N, 1700XL (Metric)						
Pressure	@540 RPM		@600RPM		@1000RPM	
	LPM	HP	LPM	HP	LPM	HP
0 BAR	94.6	0.3	106.0	0.3	170.3	1.4
3.4 BAR	79.5	1.2	92.7	1.4	162.8	3.0
6.9 BAR	71.9	2.1	83.3	2.4	155.2	4.7
10.3 BAR	64.4	2.9	75.7	3.3	147.6	6.1
13.8 BAR	56.8	3.9	68.1	4.4	---	---

# Pump Technical Data

## 4001 Series Pump Only



Pump Dimensions		
Dim.	Inch	mm
A	4.75	121
B	2.38	61
C	1.67	42
D	3.03	77
E	5.39	137
F	3.34	85
G	1.00	25
H	0.49	13
I	1.43	36
J	2.96	75
K	1.75	45

4001C, 4001N, 4001XL Pump Specifications

Rollers:	Max. Flow Rate (GPM [LPM]):	Max. Pressure (PSI [BAR]):	Max RPM	Ports:	Shaft:	Continuous Operation (PSI [BAR]):	Intermittent Operation (PSI [BAR]):	Dry Weight (LBS [KG]):	Horsepower Requirement	Mounting Bolts
4	9.1 [34.4]	150 [10.3]	1800	3/4" NPT Inlet & Outlet	5/8" Dia. (Solid) or 1/2" Dia. (Hollow)	100 [6.9]	150 [10.3]	5 [2.27]	See Chart	2 X 5/16-18 UNC

Performance Data 4001C, 4001N, 4001X (Imperial)

Pressure	@1100 RPM		@1400RPM		@1800RPM	
	GPM	HP	GPM	HP	GPM	HP
0 PSI	5.5	0.1	7.1	0.1	9.1	0.1
25 PSI	4.9	0.1	6.4	0.2	8.5	0.3
50 PSI	4.4	0.2	5.9	0.3	8.0	0.5
75 PSI	4.1	0.3	5.6	0.4	7.6	0.6
100 PSI	3.8	0.4	5.3	0.6	7.3	0.8
125 PSI	3.5	0.5	5.0	0.7	7.0	1.0
150 PSI	3.3	0.6	4.8	0.8	6.7	1.1

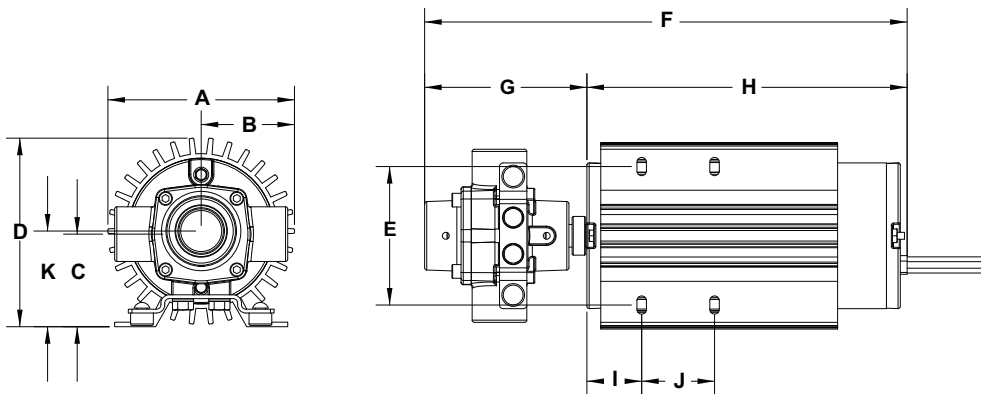
Performance Data 4001C, 4001N, 4001XL (Metric)

Pressure	@1100 RPM		@1400RPM		@1800RPM	
	LPM	HP	LPM	HP	LPM	HP
0 BAR	20.8	0.1	26.9	0.1	34.4	0.1
1.7 BAR	18.5	0.1	24.2	0.2	32.2	0.3
3.4 BAR	16.6	0.2	22.3	0.3	30.3	0.5
5.2 BAR	15.5	0.3	21.2	0.4	28.7	0.6
6.9 BAR	14.4	0.4	20.1	0.6	27.6	0.8
8.6 BAR	13.2	0.5	18.9	0.7	26.5	1.0
10.3 BAR	12.5	0.6	18.2	0.8	25.4	1.1



# Pump Technical Data

## Motorized



Pump Dimensions		
Dim.	Inch	mm
A	5.12	130
B	2.56	65
C	2.54	64
D	5.17 (5.15)	131 (130)
E	3.8	97
F	13.24 (11.91)	336 (302)
G	4.45	113
H	8.79 (7.45)	223 (189)
I	1.5	38
J	2	51
K	2.63	67

Dimensions in ( ) are for 4001-EH series pumps.

4001N-EH, 4001XL-EH, 4001N-E2H, 4001XL-E2H												
Pump	Rollers:	Max. Flow Rate (GPM [LPM]):	Max. Pressure (PSI [BAR]):	Max RPM	Voltage	Ports:	Shaft:	Continuous Operation (PSI [BAR]):	Intermittent Operation (PSI [BAR]):	Dry Weight (LBS [KG])	Horsepower Requirement	Mounting Bolts
4001N-EH	4	10.4 [39.4]	35 [2.4]	1900	12-13.5VDC	¾" NPT Inlet & Outlet	½" Dia. (Hollow)	25 [1.7]	35 [2.4]	16-18 [7.3-8.2]	N/A	4 X 1/4-20 UNC
4001XL-EH												
4001N-E2H		9.8 [37.2]	60 [4.1]	1600				50 [3.5]	60 [4.1]			
4001XL-E2H												

Model 4001N-EH & 4001XL-EH (Imperial)							
Volts	PSI	GPM	AMPS	Volts	PSI	GPM	AMPS
12.0 (Battery) Engine Off	0	9.4	14.8	13.5 (Alternator) Engine Running	0	10.4	17.1
	5	9.0	16.4		5	10.3	17.5
	10	8.6	18.0		10	9.9	19.0
	15	8.1	20.1		15	9.4	21.5
	20	7.5	23.1		20	8.9	23.8
	25	6.9	25.3		25	8.4	26.8
	30	6.1	28.5*		30	7.8	29.6*
	35	5.8	30.3*		---	---	---

Model 4001N-EH & 4001XL-EH (Metric)							
Volts	BAR	LPM	AMPS	Volts	BAR	LPM	AMPS
12.0 (Battery) Engine Off	0	35.6	14.8	13.5 (Alternator) Engine Running	0	39.4	17.1
	0.3	34.1	16.4		0.3	39.0	17.5
	0.7	32.6	18.0		0.7	37.5	19.0
	1.0	30.7	20.1		1.0	35.6	21.5
	1.4	28.4	23.1		1.4	33.7	23.8
	1.7	26.1	25.3		1.7	31.8	26.8
	2.1	23.1	28.5*		2.1	29.5	29.6*
	2.4	22.0	30.3*		---	---	---

Model 4001N-E2H & 4001XL-E2H (Imperial)							
Volts	PSI	GPM	AMPS	Volts	PSI	GPM	AMPS
12.0 (Battery) Engine Off	0	8.6	10.9	13.5 (Alternator) Engine Running	0	9.8	11.6
	10	8.0	13.3		10	9.1	14.5
	20	7.2	17.5		20	8.2	19.5
	30	6.0	22.0		30	7.3	23.2
	35	5.6	24.4		35	6.8	25.6
	40	5.3	36.1		40	6.3	27.8
	50	4.7	30.7		50	5.6	31.8
	60	3.9	35.5		60	4.9	36.2**

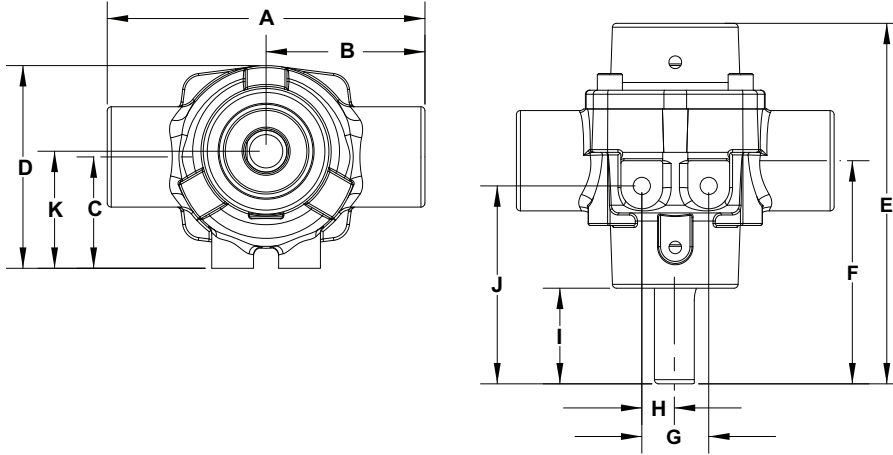
Model 4001N-E2H & 4001XL-E2H (Metric)							
Volts	BAR	LPM	AMPS	Volts	BAR	LPM	AMPS
12.0 (Battery) Engine Off	0	32.6	10.9	13.5 (Alternator) Engine Running	0	37.2	11.6
	0.7	30.2	13.3		0.7	34.3	14.5
	1.4	27.1	17.5		1.4	30.9	19.5
	2.1	22.6	22.0		2.1	27.6	23.2
	2.4	21.0	24.4		2.4	25.6	25.6
	2.8	19.9	36.1		2.8	24.0	27.8
	3.5	17.6	30.7		3.5	21.3	31.8
	4.1	14.8	35.5		4.1	18.7	36.2**

\*denotes a duty cycle of 66% (40 minutes on, 20 minutes off)

\*\*denotes a duty cycle of 50% (30 minutes on, 30 minutes off)

# Pump Technical Data

## 4101 Series Pump Only



Pump Dimensions		
Dim.	Inch	mm
A	4.75	121
B	2.38	61
C	1.67	42
D	3.03	77
E	5.39	137
F	3.34	85
G	1.00	25
H	0.49	13
I	1.43	36
J	2.96	75
K	1.75	45

4101C, 4101N, 4101XL Pump Specifications

Rollers:	Max. Flow Rate (GPM [LPM]):	Max. Pressure (PSI [BAR]):	Max RPM	Ports:	Shaft:	Continuous Operation (PSI [BAR]):	Intermittent Operation (PSI [BAR]):	Dry Weight (LBS [KG]):	Horsepower Requirement	Mounting Bolts
4	7.2 [27.3]	150 [10.3]	2600	3/4" NPT Inlet & Outlet	5/8" Dia. (Solid) or 1/2" Dia. (Hollow)	100 [6.9]	150 [10.3]	5 [2.27]	See Chart	2 X 5/16-18 UNC

Performance Data 4101C, 4101N, 4101XL (Imperial)

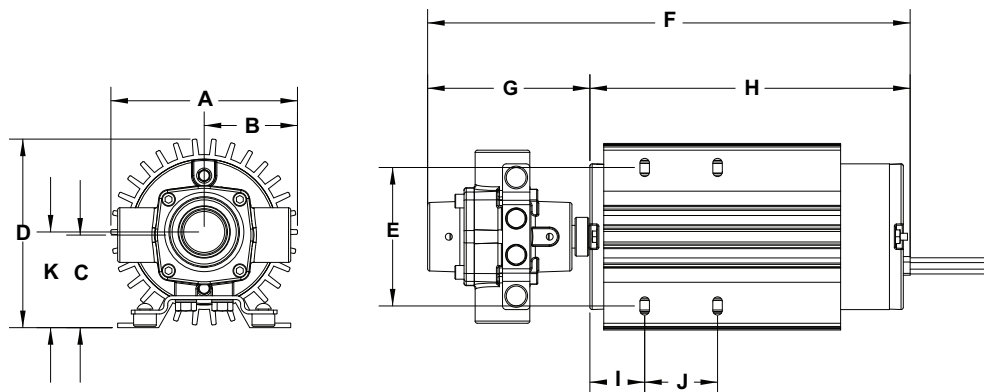
Pressure	@1800 RPM		@2200RPM		@2600RPM	
	GPM	HP	GPM	HP	GPM	HP
0 PSI	5.0	0.1	6.2	0.1	7.2	0.2
25 PSI	4.8	0.2	5.8	0.3	6.9	0.3
50 PSI	4.5	0.3	5.6	0.4	6.6	0.5
75 PSI	4.2	0.5	5.4	0.6	6.4	0.6
100 PSI	3.9	0.6	5.0	0.7	6.0	0.8
125 PSI	3.7	0.7	4.7	0.8	5.7	0.9
150 PSI	3.4	0.8	4.4	1.0	5.4	1.1

Performance Data 4101C, 4101N, 4101XL (Metric)

Pressure	@1800 RPM		@2200RPM		@2600RPM	
	LPM	HP	LPM	HP	LPM	HP
0 BAR	18.9	0.1	23.5	0.1	27.3	0.2
1.7 BAR	18.2	0.2	22.0	0.3	26.1	0.3
3.4 BAR	17.0	0.3	21.2	0.4	25.0	0.5
5.2 BAR	15.9	0.5	20.4	0.6	24.2	0.6
6.9 BAR	14.8	0.6	18.9	0.7	22.7	0.8
8.6 BAR	14.0	0.7	17.8	0.8	21.6	0.9
10.3 BAR	12.9	0.8	16.7	1.0	20.4	1.1

# Pump Technical Data

## Motorized



Pump Dimensions		
Dim.	Inch	mm
A	5.12	130
B	2.56	65
C	2.54	64
D	5.17 (5.15)	131 (130)
E	3.8	97
F	13.24 (11.91)	336 (302)
G	4.45	113
H	8.79 (7.45)	223 (189)
I	1.5	38
J	2	51
K	2.63	67

Dimensions in ( ) are for 4101-EH series pumps.

4101N-EH, 4101XL-EH, 4101N-E2H, 4101XL-E2H												
Pump	Rollers:	Max. Flow Rate (GPM [LPM]):	Max. Pressure (PSI [BAR]):	Max. RPM	Voltage	Ports:	Shaft:	Continuous Operation (PSI [BAR]):	Intermittent Operation (PSI [BAR]):	Dry Weight (LBS [KG])	Horsepower Requirement	Mounting Bolts
4101N-EH	4	6.6 [25.0]	50 [3.4]	1900	12-13.5VDC	¼" NPT Inlet & Outlet	½" Dia. (Hollow)	50 [3.4]	---	16-18 [7.3-8.2]	N/A	4 X 1/4-20 UNC
4101XL-EH												
4101N-E2H		5.7 [21.6]	100 [6/9]	1600				80 [5.5]	100 [6.9]			
4101XL-E2H												

Model 4101N-EH & 4101XL-EH (Imperial)							
Volts	PSI	GPM	AMPS	Volts	PSI	GPM	AMPS
12.0 (Battery) Engine off	0	5.7	9.8	13.5 (Alternator) Engine Running	0	6.6	11.1
	5	5.5	11.3		5	6.3	12.1
	10	5.1	12.3		10	6.0	13.3
	15	4.8	13.6		15	5.6	14.6
	20	4.5	15.1		20	5.3	16.0
	25	4.2	16.7		25	5.1	17.4
	30	4.0	18.5		30	4.9	19.2
	35	3.7	20.3		35	4.6	21.1
	40	3.4	21.5		40	4.4	22.9
	45	3.2	23.5		45	4.2	24.3
50	2.8	24.8	50	3.9	25.8		

Model 4101N-EH & 4101XL-EH (Metric)							
Volts	BAR	LPM	AMPS	Volts	BAR	LPM	AMPS
12.0 (Battery) Engine off	0	21.6	9.8	13.5 (Alternator) Engine Running	0	25.0	11.1
	0.3	20.8	11.3		0.3	23.8	12.1
	0.7	19.3	12.3		0.7	22.7	13.3
	1.0	18.2	13.6		1.0	21.2	14.6
	1.4	17.0	15.1		1.4	20.1	16.0
	1.7	15.9	16.7		1.7	19.3	17.4
	2.1	15.1	18.5		2.1	18.5	19.2
	2.4	14.0	20.3		2.4	17.4	21.1
	2.8	12.9	21.5		2.8	16.7	22.9
	3.1	12.1	23.5		3.1	15.9	24.3
3.4	10.6	24.8	3.4	14.8	25.8		

Model 4101N-E2H & 4101XL-E2H (Imperial)							
Volts	PSI	GPM	AMPS	Volts	PSI	GPM	AMPS
12.0 (Battery) Engine off	0	5.3	9.2	13.5 (Alternator) Engine Running	0	5.7	9.8
	10	4.5	10.4		10	5.3	11.7
	20	4.0	13.5		20	4.8	13.8
	30	3.6	15.8		30	4.5	17.0
	40	3.2	19.8		40	4.0	19.8
	50	2.8	23.4		50	3.7	23.0
	60	2.3	26.7		60	3.3	26.0
	70	1.9	30.2		70	3.0	28.3
	80	1.4	31.8		80	2.7	31.3
	90	0.9	37.0**		90	2.2	34.6
100	0.5	38.8**	100	1.8	38.3**		

Model 4101N-E2H & 4101XL-E2H (Metric)							
Volts	BAR	LPM	AMPS	Volts	BAR	LPM	AMPS
12.0 (Battery) Engine off	0	20.1	9.2	13.5 (Alternator) Engine Running	0	21.6	9.8
	0.7	17.0	10.4		0.7	20.1	11.7
	1.4	15.1	13.5		1.4	18.2	13.8
	2.0	13.6	15.8		2.0	17.0	17.0
	2.8	12.1	19.8		2.8	15.1	19.8
	3.5	10.6	23.4		3.5	14.0	23.0
	4.1	8.7	26.7		4.1	12.5	26.0
	4.8	7.2	30.2		4.8	11.4	28.3
	5.5	5.3	31.8		5.5	10.2	31.3
	6.2	3.4	37.0**		6.2	8.3	34.6
6.9	1.9	38.8**	6.9	6.8	38.3**		

\*\*denotes a duty cycle of 50% (30 minutes on, 30 minutes off).

# Pump Technical Data

## Gas Engine

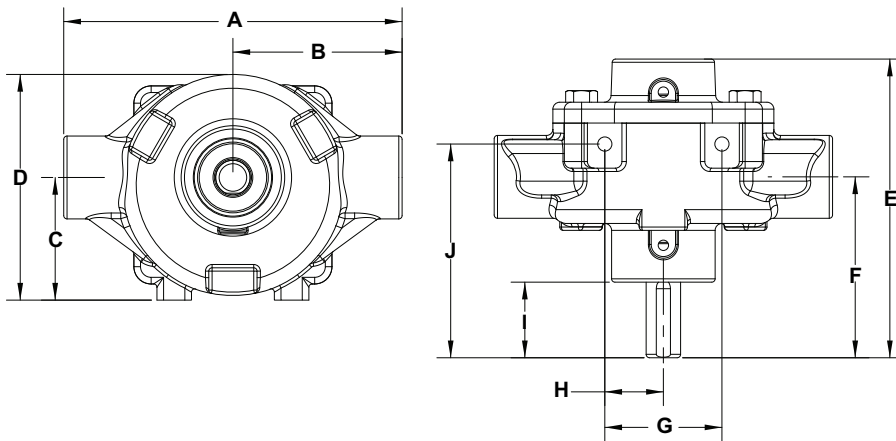
4101C-25, 4101XL-25 Pump Specifications										
Rollers:	Max. Flow Rate (GPM [LPM]):	Max. Pressure (PSI [BAR]):	Max RPM	Ports:	Shaft:	Continuous Operation (PSI [BAR]):	Intermittent Operation (PSI [BAR]):	Dry Weight (LBS [KG])	Engine	Mounting Bolts
4	8.9 [33.7]	150 [10.3]	2600	¾" NPT Inlet & Outlet	5/8" Dia. (Solid)	100 [6.9]	150 [BAR]	29 [13.1]	2.5 HP	4 X 5/16-18 UNC

4101C-25 and 4101XL-25 Gas Engine Performance (Imperial)	
PSI	GPM
0 PSI	8.9
50 PSI	8.6
100 PSI	8.3
150 PSI	8

4101C-25 and 4101XL-25 Gas Engine Performance (Metric)	
BAR	LPM
0 BAR	34
3.4 BAR	33
6.9 BAR	31
10.3 BAR	30

# Pump Technical Data

## 6500 Series Pump Only



Pump Dimensions		
Dim.	Inch	mm
A	6.13	156
B	3.07	78
C	2.22	56
D	4.09	104
E	5.41	137
F	3.27	83
G	2.12	54
H	1.06	27
I	1.37	35
J	3.87	98

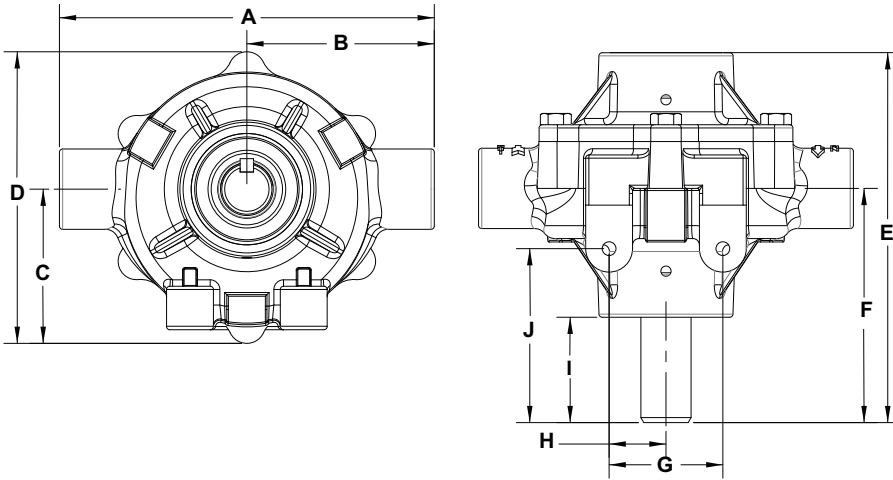
6500C, 6500N, 6500XL Pump Specifications										
Rollers:	Max. Flow Rate (GPM [LPM]):	Max. Pressure (PSI [BAR]):	Max RPM	Ports:	Shaft:	Continuous Operation (PSI [BAR]):	Intermittent Operation (PSI [BAR]):	Dry Weight (LBS [KG]):	Horsepower Requirement	Mounting Bolts
6	21.8 [82.5]	300 [20.7]	1200	-3/4" NPT Inlet & Outlet -1" Hose Barb included	5/8" Dia. (Solid)	100 [6.9]	300 [20.7]	9 [4.1]	See Chart	2 X 5/16-18 UNC

Performance Data 6500C, 6500N, 6500XL (Imperial)						
Pressure	GPM	HP	GPM	HP	GPM	HP
	@540 RPM		@1000RPM		@1200RPM	
0 PSI	9.7	0.1	18.2	0.2	21.8	0.3
50 PSI	8.0	0.4	16.5	0.7	20.1	0.9
100 PSI	7.2	0.7	15.4	1.3	19.1	1.5
150 PSI	6.6	1.0	14.7	1.8	18.2	2.1
200 PSI	5.6	1.3	14.0	2.3	17.3	2.8
250PSI	4.9	1.7	13.4	2.9	16.5	3.5
300PSI	4.3	1.9	12.7	3.5	15.7	4.2

Performance Data 6500C, 6500N, 6500XL (Metric)						
Pressure	LPM	HP	LPM	HP	LPM	HP
	@540 RPM		@1000RPM		@1200RPM	
0 BAR	36.7	0.1	68.9	0.2	82.5	0.3
3.4 BAR	30.3	0.4	62.5	0.7	76.1	0.9
6.9 BAR	27.3	0.7	58.3	1.3	72.3	1.5
10.3 BAR	25.0	1.0	55.6	1.8	68.9	2.1
13.8 BAR	21.2	1.3	53.0	2.3	65.5	2.8
17.2 BAR	18.5	1.7	50.7	2.9	62.5	3.5
20.7 BAR	16.3	1.9	48.1	3.5	59.4	4.2

# Pump Technical Data

## 7560 Series Pump Only



Pump Dimensions		
Dim.	Inch	mm
A	7	178
B	3.5	89
C	2.88	73
D	5.45	138
E	6.91	176
F	4.37	111
G	2.12	54
H	1.06	27
I	1.97	50
J	3.25	83

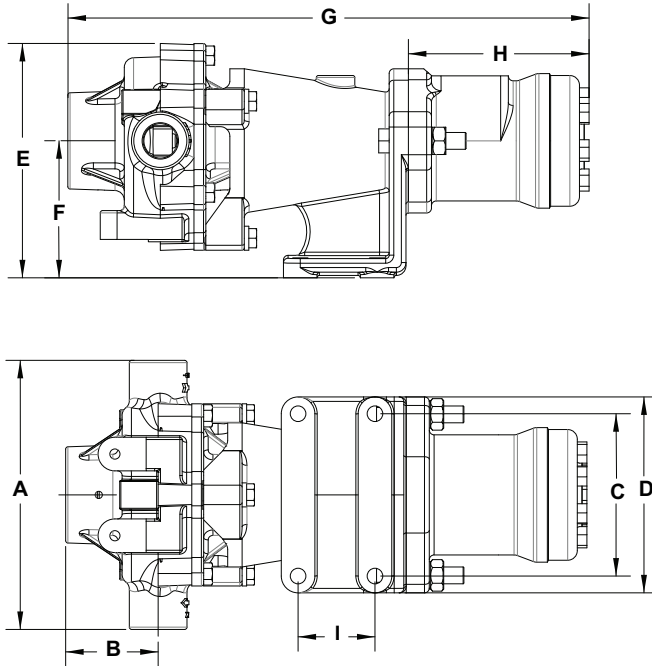
7560C, 7560N, 7560XL Pump Specifications										
Rollers:	Max. Flow Rate (GPM [LPM]):	Max. Pressure (PSI [BAR]):	Max RPM	Ports:	Shaft:	Continuous Operation (PSI [BAR]):	Intermittent Operation (PSI [BAR]):	Dry Weight (LBS [KG])	Horsepower Requirement	Mounting Bolts
8	22.5 [85.2]	300 [20.7]	1000	-3/4" NPT Inlet & Outlet -1" Hose Barb included	15/16" Dia. (Solid)	100 [6.9]	300 [20.7]	13 [5.89]	See Chart	2 X 5/16-18 UNC

Performance Data 7560C, 7560N, 7560XL (Imperial)						
Pressure	@540 RPM		@800RPM		@1000RPM	
	GPM	HP	GPM	HP	GPM	HP
	0 PSI	12.0	0.3	18.3	0.9	22.5
50 PSI	11.1	0.7	17.5	1.3	22.0	1.8
100 PSI	10.3	1.3	16.9	2.0	21.3	2.5
150 PSI	9.5	1.8	16.1	2.7	20.6	3.5
200 PSI	8.6	2.3	15.5	3.4	20.0	4.2
250PSI	7.8	2.8	14.5	4.2	18.9	5.3
300PSI	7.1	3.3	13.7	4.9	18.0	6.1

Performance Data 7560C, 7560N, 7560XL (Metric)						
Pressure	@540 RPM		@800RPM		@1000RPM	
	LPM	HP	LPM	HP	LPM	HP
	0 BAR	45.4	0.3	69.3	0.9	85.2
3.4 BAR	42.0	0.7	66.2	1.3	83.3	1.8
6.9 BAR	39.0	1.3	64.0	2.0	80.6	2.5
10.3 BAR	36.0	1.8	60.9	2.7	78.0	3.5
13.8 BAR	32.5	2.3	58.7	3.4	75.7	4.2
17.2 BAR	29.5	2.8	54.9	4.2	71.5	5.3
20.7 BAR	26.9	3.3	51.9	4.9	68.1	6.1

# Pump Technical Data

## Hydraulic



Pump Dimensions		
Dim.	Inch	mm
A	7	178
B	2.44	62
C	4.21	107
D	5.08	129
E	6.1	155
F	3.58	91
G	13.58	345
H	4.69	119
I	2	51

7560C-GM30, 7560N-GM30, 7560XL-GM30 Pump Specifications											
Rollers:	Max. Pump Flow Rate (GPM [LPM]):	Max. Pump Pressure (PSI [BAR]):	Max RPM	Ports:	Hydraulic Motor Ports	Continuous Operation (PSI [BAR]):	Intermittent Operation (PSI [BAR]):	Dry Weight (LBS [KG])	Max. Hydraulic Flow (GPM [LPM])	Max. Hydraulic Pressure (PSI [BAR])	Mounting Bolts
8	20.1 [76.1]	300 [20.7]	1000	-3/4" NPT Inlet & Outlet -1" Hose Barb included	-10 SAE (7/8" 14 UNF)	100 [6.9]	300 [20.7]	13 [5.89]	12 [45.4]	2400 [165.5]	4 X 3/8 or M10

7560C-GM30, 7560N-GM30, 7560XL-GM30 Performance Data (Imperial)										
Hyd. GPM	GPM @ 0 PSI	GPM @ 25 PSI	GPM @ 50 PSI	GPM @ 75 PSI	GPM @ 100 PSI	GPM @ 125 PSI	GPM @ 150 PSI	GPM @ 200 PSI	GPM @ 250 PSI	GPM @ 300 PSI
5	9.0	8.5	7.8	7.3	6.7	6.1	5.5	4.4	3.3	2.2
6	10.5	10.0	9.5	8.9	8.4	7.8	7.3	6.2	5.2	4.1
7	11.9	11.5	11.0	10.4	9.9	9.4	8.9	7.8	6.8	5.7
8	13.7	13.1	12.5	12.0	11.5	10.9	10.4	9.4	8.4	7.3
9	15.2	14.6	14.1	13.6	13.1	12.6	12.1	11.1	10.0	9.1
10	16.9	16.5	15.9	15.4	14.9	14.3	13.9	12.9	11.9	11.0
11	18.6	18.2	17.6	17.1	16.6	16.1	15.6	14.7	13.8	12.9
12	20.1	19.6	19.1	18.6	18.1	17.6	17.1	16.3	15.3	14.5

7560C-GM30, 7560N-GM30, 7560XL-GM30 Performance Data (Metric)											
Hyd. LPM	LPM @ 0 BAR	LPM @ 2 BAR	LPM @ 4 BAR	LPM @ 6 BAR	LPM @ 8 BAR	LPM @ 10 BAR	LPM @ 12 BAR	LPM @ 14 BAR	LPM @ 16 BAR	LPM @ 18 BAR	LPM @ 20 BAR
20	35.8	33.2	30.5	28.1	25.6	23.4	20.9	18.5	15.8	12.6	10.0
25	42.8	39.5	36.8	34.0	31.8	29.2	26.2	23.7	21.6	18.9	16.4
30	51.8	49.0	45.8	43.0	40.3	37.9	35.3	33.3	31.1	28.9	26.2
35	58.1	55.8	52.7	50.1	47.7	45.5	43.1	40.9	38.8	36.3	33.5
40	67.6	64.8	62.4	60.0	57.7	55.8	53.4	51.3	48.8	46.6	44.1
45	75.3	72.7	70.4	68.1	66.0	63.8	61.8	59.8	57.8	55.7	53.3

## Pump Technical Data

### Hydraulic - cont'd.

7560C-GM15, 7560N-GM15, 7560XL-GM15 Pump Specifications											
Rollers:	Max. Pump Flow Rate (GPM [LPM]):	Max. Pump Pressure (PSI [BAR]):	Max RPM	Ports:	Hydraulic Motor Ports	Continuous Operation (PSI [BAR]):	Intermittent Operation (PSI [BAR]):	Dry Weight (LBS [KG])	Max. Hydraulic Flow (GPM [LPM])	Max. Hydraulic Pressure (PSI [BAR])	Mounting Bolts
8	20.1 [76.1]	300 [20.7]	1000	-3/4" NPT Inlet & Outlet -1" Hose Barb included	-10 SAE (7/8" 14 UNF)	100 [6.9]	300 [20.7]	13 [5.89]	6 [22.7]	2400 [165.5]	4 X 3/8 or M10

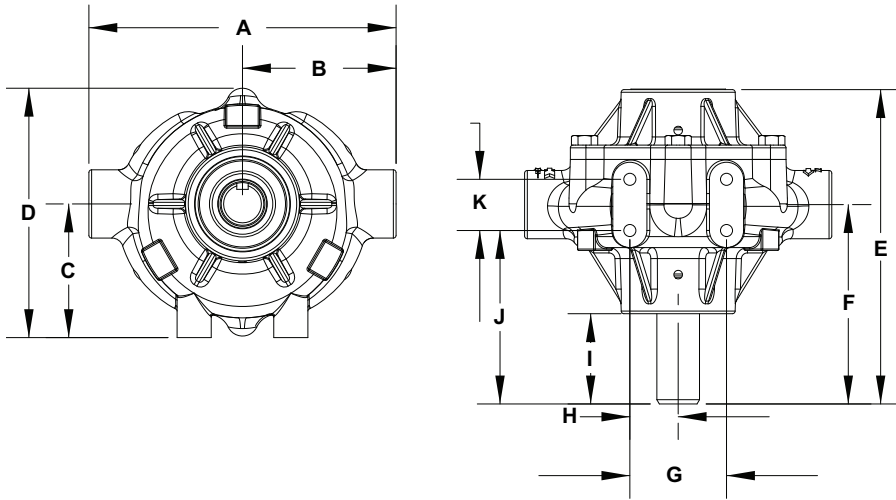
7560C-GM15, 7560N-GM15, 7560XL-GM15 (Imperial)											
Hyd. GPM	GPM @ 0 PSI	GPM @ 25 PSI	GPM @ 50 PSI	GPM @ 75 PSI	GPM @ 100 PSI	GPM @ 125 PSI	GPM @ 150 PSI	GPM @ 200 PSI	GPM @ 250 PSI	GPM @ 300 PSI	
3	10.6	9.4	8.5	7.7	7.1	6.5	5.8	4.8	3.2	1.6	
4	14.1	13.1	12.0	11.3	10.6	10.0	9.3	8.3	6.9	5.2	
5	17.4	16.6	15.7	15.0	14.4	13.5	13.2	11.8	10.3	8.7	
6	20.8	20.1	19.4	18.6	17.9	17.1	16.5	14.9	13.3	11.8	

7560C-GM15, 7560N-GM15, 7560XL-GM15 (Metric)											
Hyd. LPM	LPM @ 0 BAR	LPM @ 1.7 BAR	LPM @ 3.5 BAR	LPM @ 5.2 BAR	LPM @ 6.9 BAR	LPM @ 8.6 BAR	LPM @ 10.3 BAR	LPM @ 13.8 BAR	LPM @ 17.2 BAR	LPM @ 20.7 BAR	
11.4	40.1	35.6	32.2	29.1	26.9	24.6	22.0	18.2	12.1	6.1	
15.1	53.4	49.6	45.4	42.8	40.1	37.9	35.2	31.4	26.1	19.7	
18.9	65.9	62.8	59.4	56.8	54.5	51.1	50.0	44.7	39.0	32.9	
22.7	78.7	76.1	73.4	70.4	67.8	64.7	62.5	56.4	50.3	44.7	



# Pump Technical Data

## 7700 Series Pump Only



Pump Dimensions		
Dim.	Inch	mm
A	6.75	172
B	3.38	86
C	2.94	75
D	5.48	139
E	6.91	176
F	4.38	111
G	2.12	54
H	1.06	27
I	1.98	50
J	3.81	97
K	1.13	29

7700C, 7700N, 7700XL Pump Specifications										
Rollers:	Max. Flow Rate (GPM [LPM]):	Max. Pressure (PSI [BAR]):	Max RPM	Ports:	Shaft:	Continuous Operation (PSI [BAR]):	Intermittent Operation (PSI [BAR]):	Dry Weight (LBS [KG]):	Horsepower Requirement	Mounting Bolts
7	22.4 [83.6]	200 [13.8]	800	-3/4" NPT Inlet & Outlet -1" Hose Barb included	15/16" Dia. (Solid)	100 [6.9]	200 [13.8]	14 [6.36]	See Chart	4 X 5/16-18 UNC

Performance Data 7700C, 7700N, 7700XL (Imperial)						
Pressure	@540 RPM		@600RPM		@800RPM	
	GPM	HP	GPM	HP	GPM	HP
0 PSI	14.2	0.2	15.3	0.3	22.1	0.4
50 PSI	12.9	0.6	14.0	0.6	20.7	0.9
100 PSI	11.9	1.1	13.0	1.2	19.5	1.7
150 PSI	11.2	1.6	12.3	1.8	18.6	2.4
200 PSI	10.3	2.2	11.6	2.4	17.8	3.3

Performance Data 7700C, 7700N, 7700XL (Metric)						
Pressure	@540 RPM		@600RPM		@800RPM	
	LPM	HP	LPM	HP	LPM	HP
0 BAR	53.8	0.2	57.9	0.3	83.7	0.4
3.4 BAR	48.8	0.6	53.0	0.6	78.4	0.9
6.9 BAR	45.0	1.1	49.2	1.2	73.8	1.7
10.3 BAR	42.4	1.6	46.6	1.8	70.4	2.4
13.8 BAR	39.0	2.2	43.9	2.4	67.4	3.3